



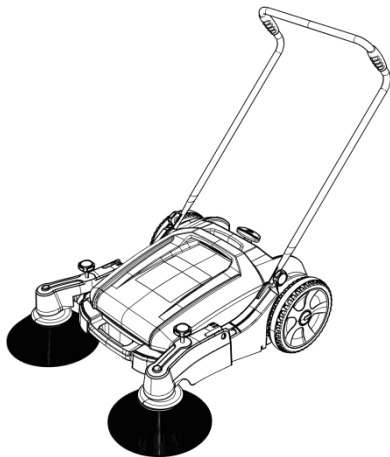
U90 Floor Sweeper Instruction Manual

We explore safer, higher-end and more user-friendly cleaning equipment through technical advantage and idea innovation.



Contents

Product description	01
Chapter 1 General instructions	02/04
1.1 Unpacking the machine	
1.2 Assembling the machine	
1.3 Using the machine	
Chapter 2 Product features	04
Chapter 3 Cautions during the operation	04
Chapter 4 Maintenance	05
Chapter 5 Warranty	05
Chapter 6 Technical parameters	06/08
6.1 Basic type	
6.2 Skylight type	
6.3 Skylight spray type	
Chapter 7 Common problems and solutions	09/10
Warranty card	11



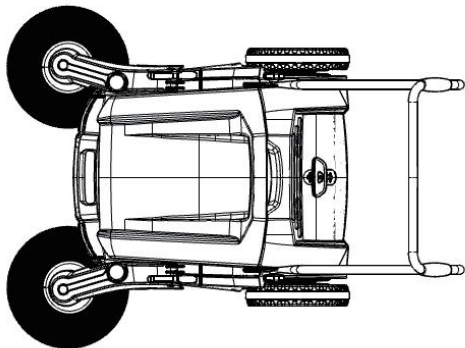
The U90 hand-push double-brush floor sweeper is unique in both design and technology. It does not require any electric power and the user can easily recycle garbage by pushing it forward. The height of the brushes can be adjusted according to the type of the floor and the amount of garbage, so that the machine can achieve the best cleaning effects at the lowest cost. The armrests adopt a flexible and foldable design to suit different users as well as to facilitate the storage and the transportation. The garbage can is strictly sealed, easy to be installed or removed and corrosion-resistant. The main components of the machine are made of engineering plastic and are corrosion-resistant, anti-aging and deformation-proof. The transmission parts of the machine apply enclosed bearings to make the operation of the machine flexible and labor-saving.

The U90 is novel in design, easy to use, consistent with the global trend of low carbon economy and able to boost the cleaning efficiency by a factor of 4 to 6. It is especially suitable for cleaning streets, residential zones, parks, courtyards, schools, workshops, warehouses and large activity venues.

Chapter 1 General instructions

1.1 Unpacking the machine

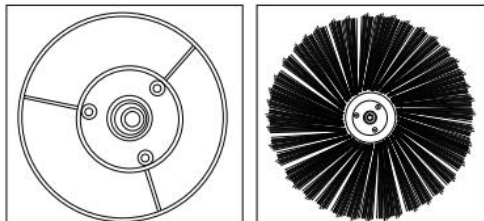
Upon receiving the machine, put it face up gently, remove the package and take out the machine.



1.2 Assembling the machine

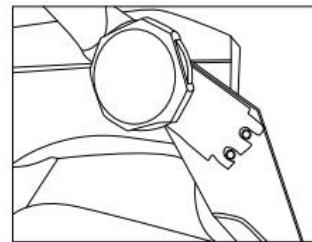
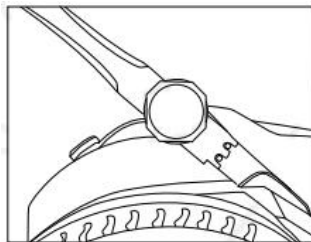
Step 1

Installation of the side brushes: remove the three screws of the circle plate, align them with the holes on the brush plate and tighten them.



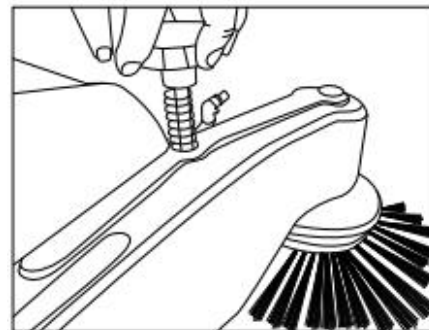
Step 2

Installation of the push handle bracket: drag out the push handle bracket, align it with the screws and tighten the knob.

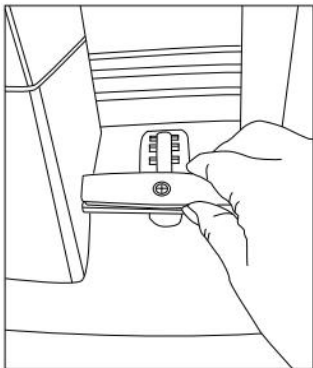


Step 3

Adjustment of the height of the side brushes: use the knobs on both sides to adjust the positions of the side brushes.



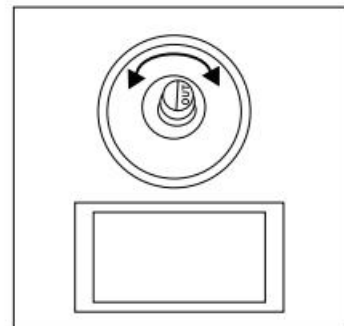
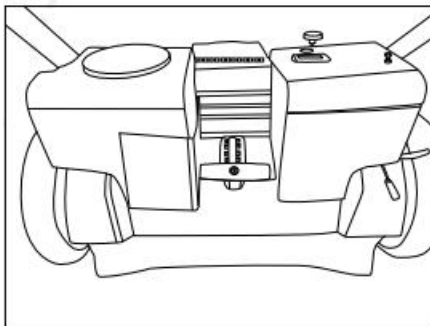
Step 4



Adjustment of the height of the main brush: use the main brush handle to adjust the position of the main brush.

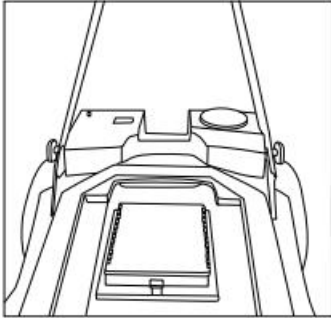
Step 5

(For spray type) Before using the machine, add a certain amount of water into the water tank, open the vent valve to expel the air in the tube, and close the vent valve.



1.3 Using the machine

Push the machine gently with your hands and the brushes will start working automatically.



Chapter 2 Product features

Features of the machine:

1. Energy-free: the user only needs to push the machine forward to remove garbage.
2. Environment-friendly: no noise, pollution or emission will be produced during the operation..
3. Labor-saving: the cleaning efficiency will be largely boosted by a factor of four to six.
4. Anti-aging: the whole machine is made of engineering plastic and is corrosion-resistant.

Chapter 3 Cautions during the operation

1. Before unpacking the machine, if any damaged is found, contact with the seller immediately.
2. Read the instruction manual carefully before operating the machine.
3. Do NOT use the machine to clean materials that are harmful to your health.
4. Do NOT use the machine with a single wheel touching the floor.
5. The machine can be used to clean regular garbage. Do NOT use it to clean ropes, belts, high-temperature sundries, accumulated water and flammable or toxic materials.
6. After using the machine, check whether the main brush is entangled.
7. Wear gloves before discharging the garbage can, especially if there are pieces of glass, metal or other materials that may hurt you.
8. After using the machine, take out and discharge the garbage can.
9. (For spray type) Add water to the water tank before using the machine.

Chapter 4 Maintenance

1. Check the main brush and the side brushes regularly and replace them if they are obviously worn.
2. Check the tires of the machine regularly and replace them if they are obviously worn.
3. (For the skylight type) Replace the filter element every 7 to 15 days.
4. (For the spray type) Charge the batteries regularly. Do NOT use the batteries when the temperature is too high or too low. Do NOT hit the batteries.

Chapter 5 Warranty

The following situations are NOT covered in the warranty:

1. The user fails to operate or maintain the machine according to the instruction manual, resulting in faults or damage.
2. The surface of the machine is seriously damaged due to improper operation.
3. Disassembly or modification not approved by the original manufacturer.
4. Damage due to weather or irresistible force.
5. The warranty is expired or the machine has been used for more than 1,500 hours.

6.1 Basic type

Category	Item	Unit	Parameter
1	Maximum cleaning width	mm	920
2	Maximum cleaning efficiency	m ² /h	All day
3	Driving motor	W	/
4	Rolling brush motor	W	/
5	Battery capacity	V/Ah	/
6	Side brush motor	W	/
7	Main brush width	mm	480
8	Side brush width	mm	2 * 350
9	Maximum walking speed	km/h	0-8
10	Garbage can capacity	L	55
11	Weight	kg	23
12	Size	mm	1,300 * 920 * 1,035

6.2 Skylight type

Category	Item	Unit	Parameter
1	Maximum cleaning width	mm	920
2	Maximum cleaning efficiency	m ² /h	All day
3	Driving motor	W	/
4	Rolling brush motor	W	/
5	Battery capacity	V/Ah	/
6	Side brush motor	W	/
7	Main brush width	mm	480
8	Side brush width	mm	2 * 350
9	Maximum walking speed	km/h	0-8
10	Garbage can capacity	L	55
11	Weight	kg	24
12	Size	mm	1,300 * 920 * 1,035
13	Skylight parameters	mm	200 * 200 * 50

6.3 Skylight spray type

Category	Item	Unit	Parameter
1	Maximum cleaning width	mm	920
2	Maximum cleaning efficiency	m ² /h	All day
3	Driving motor	W	/
4	Rolling brush motor	W	/
5	Battery capacity	V/mAh	12/6,000
6	Side brush motor	W	/
7	Main brush width	mm	480
8	Side brush width	mm	2 * 350
9	Maximum walking speed	km/h	0-8
10	Garbage can capacity	L	55
11	Weight	kg	27.5
12	Size	mm	1,300 * 920 * 1,035
13	Skylight parameters	mm	200 * 200 * 50
14	Water tank capacity	L	5

Chapter 7 Common problems and solutions

Problem	Cause	Solution
Large leafs, garbage or particles escape during the work.	The working speed is too high.	Reduce the working speed.
	The height of the brush(es) is not appropriate.	Adjust the height of the brush(es).
	The brush(es) is(are) deformed or entangled.	Remove the entanglement.
The machine leaves dust on the floor.	The filter is blocked.	Clean the filter.
	The baffles are broken.	Check and replace the baffles.
Paper scraps, leaves or other garbage escape during the work.	The height of the baffles is not appropriate.	Adjust the height of the baffles.
The brushes become worn fast.	The position of the brushes is too low.	Lift the brushes moderately.
Too much noise is produced during the work.	The brushes are entangled.	Remove the entanglements.
	The bearings are broken.	Replace the bearings.
	The position of the brushes is too low.	Lift the brushes moderately.
The brushes do not rotate during the work.	The transmission belts are broken.	Replace the transmission belts.
The brushes and the suction motor do not work.	The motor(s) is(are) broken.	Replace the motor(s).
The brushes work normally while the machine does not move.	The controller is broken.	Check the input and output voltage, the alarming signal, the indicator light, the fuse, the driving motor, as well as their connection.
	The fuse is blown.	
	The driving motor is broken.	
	The speed adjuster is broken.	
	The brake switch is broken.	

The dust-vibrator does not work.	The dust-vibrator motor is overloaded.	Reduce the load.
	The switch is broken.	Replace the switch and the fuse.
	The fuse is blown.	Replace the fuse.
	The dust-vibrator motor is broken.	Replace the motor.
	The bearings are broken.	Replace the bearings.
The machine cannot move forward or backward.	The pedal speed adjuster is broken.	Replace the speed adjuster.
	The position of the brake pedal is wrong.	Adjust the position of the brake pedal.
	The brake switch fails.	Replace the brake switch.
	The controller is broken.	Replace the controller.
The batteries cannot be charged.	The charger fails.	Check the power input of the charger.
	The batteries are burn.	Replace the batteries.
	The charger is broken.	Replace the charger.
	The battery cords are loose.	Tighten the battery cords.
The skylight leaks.	The filter is not well installed.	Adjust the position of the filter.
The spray does not work.	There is no sufficient water in the water tank.	Add water to the water tank.
	There is air in the water tank.	Expel the air in the water tank.
The batteries discharge too fast.	The charging time is not enough.	Increase the charging time.
	The batteries are burn.	Replace the batteries.
	The charger is broken.	Replace the charger.